

JUMO GmbH & Co. KG
Delivery address: Mackenrodtstraße 14
36039 Fulda, Germany
Postal address: 36035 Fulda, Germany
Phone: +49 661 6003-0
Fax: +49 661 6003-607
Email: mail@jumo.net
Internet: www.jumo.net

JUMO Instrument Co. Ltd.
JUMO House
Temple Bank, Riverway
Harlow, Essex CM 20 2DY, UK
Phone: +44 1279 63 55 33
Fax: +44 1279 62 50 29
Email: sales@jumo.co.uk
Internet: www.jumo.co.uk

JUMO Process Control, Inc.
6733 Myers Road
East Syracuse, NY 13057, USA
Phone: +1 315 437 5866
Fax: +1 315 437 5860
Email: info.us@jumo.net
Internet: www.jumousa.com



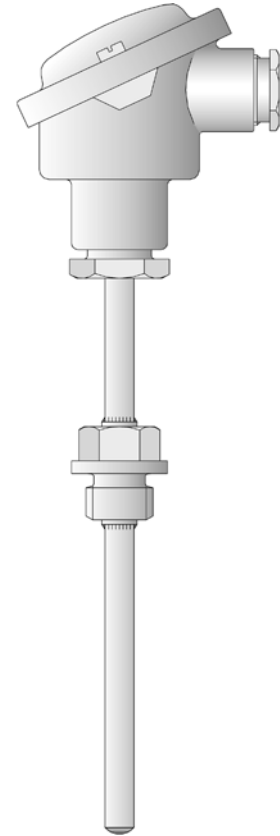
Screw-In RTD Temperature Probes with Terminal Head Form B

- For temperatures from -50 to +600 °C
- With replaceable measuring insert
- As single or double RTD temperature probes
- Connection head form B, BUZ, BUZH, BBK
- Available with transmitter

Screw-in RTD temperature probes are mainly used for measuring temperatures in fluids and gasses. A decisive selection criterion is the reliable sealing feature of this installation type with vacuum and with overpressure. The application areas are, among others, in the air conditioning technology and refrigeration engineering as well as the HVAC, kiln and apparatus engineering sector.

The connection head is suitable for temperatures up to +100 °C. The versions BUZ, BUZH and BBK are also available in addition to the standard connection head, form B.

A Pt100 temperature sensing element according to DIN EN 60751, class B in two-wire circuit is used as a measuring insert by default – versions with Pt500 or Pt1000 are also possible. Connection is available in three-wire or four-wire circuit as an option. A transmitter can be optionally integrated into the connection head.



Technical data

Terminal head

Form B DIN 43729, die-cast aluminum, M20 × 1.5; IP65, ambient temperature -40 to +100 °C
Form BUZ, die-cast aluminum, M20 × 1.5; IP65, ambient temperature -40 to +100 °C
Form BUZH, die-cast aluminum, M20 × 1.5; IP65, ambient temperature -40 to +100 °C
Form BBK, plastic, M20 × 1.5; IP54, ambient temperature -30 to +130 °C
Caution: reduced ambient temperature range when using transmitters, data sheets 707010, 707030, 707050, and 707060

Extension tube

Stainless steel 1.4571, length 130 mm

Process connection

Thread, stainless steel 1.4571
Thermowell, stainless steel 1.4571 or steel 1.7335

Thermowell

Stainless steel 1.4571, Ø 9 mm, Ø 11 mm, Ø 12 mm

Measuring insert

Replaceable, Pt100 temperature probe, DIN EN 60751, class B, two-wire circuit

Response times

$t_{0.9}$ approx. 50 s, in water 0.2 m/s, Ø 9 mm

Transmitter

Analog transmitter, 4 to 20 mA output, data sheet 707030
Analog transmitter, 0 to 10 V output, data sheet 707030
Programmable transmitter, 4 to 20 mA / 20 to 4 mA output, data sheet 707010
Programmable transmitter, 4 to 20 mA / 20 to 4 mA output and USB interface, data sheet 707050
Wtrans B, programmable head transmitter with radio transmission, data sheet 707060 (suitable Wtrans receivers, data sheet 902931)

Accessories

Thermowell, data sheet 909710

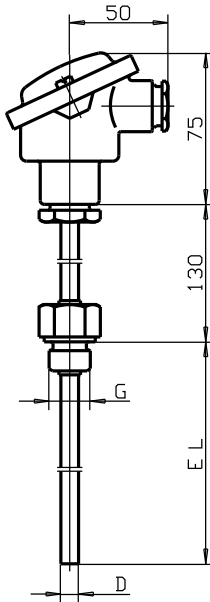
JUMO GmbH & Co. KG
 Delivery address: Mackenrodtstraße 14
 36039 Fulda, Germany
 Postal address: 36035 Fulda, Germany
 Phone: +49 661 6003-0
 Fax: +49 661 6003-607
 Email: mail@jumo.net
 Internet: www.jumo.net

JUMO Instrument Co. Ltd.
 JUMO House
 Temple Bank, Riverway
 Harlow, Essex CM 20 2DY, UK
 Phone: +44 1279 63 55 33
 Fax: +44 1279 62 50 29
 Email: sales@jumo.co.uk
 Internet: www.jumo.co.uk

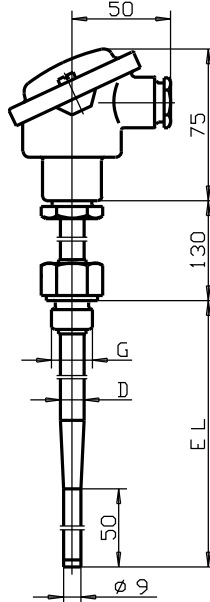
JUMO Process Control, Inc.
 6733 Myers Road
 East Syracuse, NY 13057, USA
 Phone: +1 315 437 5866
 Fax: +1 315 437 5860
 Email: info.us@jumo.net
 Internet: www.jumousa.com



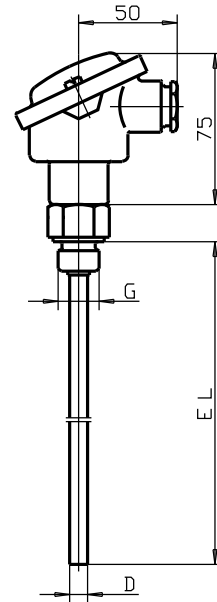
Dimensions



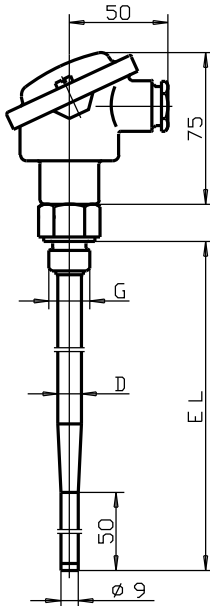
Basic type 902020/10



Basic type 902020/11



Basic type 902020/20

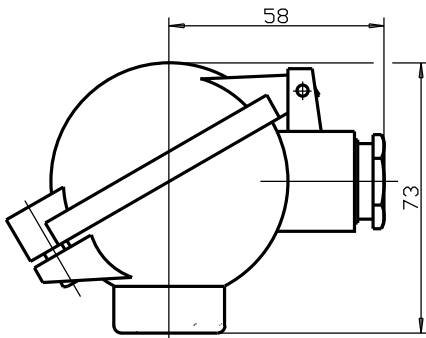


Basic type 902020/21

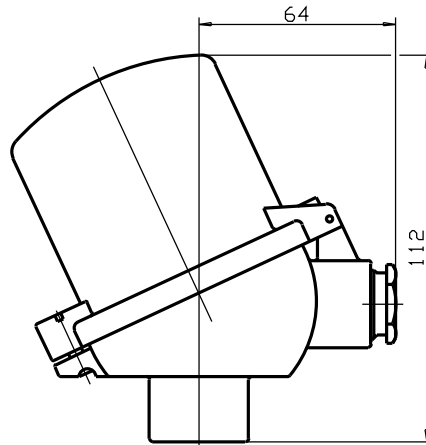
JUMO GmbH & Co. KG
Delivery address: Mackenrodtstraße 14
36039 Fulda, Germany
Postal address: 36035 Fulda, Germany
Phone: +49 661 6003-0
Fax: +49 661 6003-607
Email: mail@jumo.net
Internet: www.jumo.net

JUMO Instrument Co. Ltd.
JUMO House
Temple Bank, Riverway
Harlow, Essex CM 20 2DY, UK
Phone: +44 1279 63 55 33
Fax: +44 1279 62 50 29
Email: sales@jumo.co.uk
Internet: www.jumo.co.uk

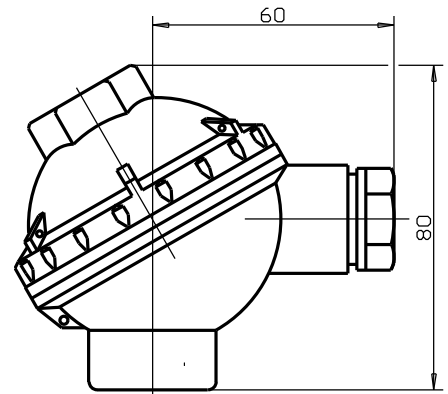
JUMO Process Control, Inc.
6733 Myers Road
East Syracuse, NY 13057, USA
Phone: +1 315 437 5866
Fax: +1 315 437 5860
Email: info.us@jumo.net
Internet: www.jumousa.com



Terminal head form BUZ
extra code 320



Terminal head form BUZH
extra code 321



Connection head form BBK
extra code 322

JUMO GmbH & Co. KG
 Delivery address: Mackenrodtstraße 14
 36039 Fulda, Germany
 Postal address: 36035 Fulda, Germany
 Phone: +49 661 6003-0
 Fax: +49 661 6003-607
 Email: mail@jumo.net
 Internet: www.jumo.net

JUMO Instrument Co. Ltd.
 JUMO House
 Temple Bank, Riverway
 Harlow, Essex CM 20 2DY, UK
 Phone: +44 1279 63 55 33
 Fax: +44 1279 62 50 29
 Email: sales@jumo.co.uk
 Internet: www.jumo.co.uk

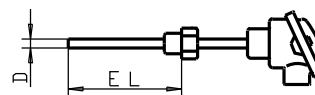
JUMO Process Control, Inc.
 6733 Myers Road
 East Syracuse, NY 13057, USA
 Phone: +1 315 437 5866
 Fax: +1 315 437 5860
 Email: info.us@jumo.net
 Internet: www.jumousa.com



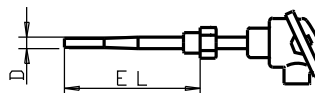
Order specifications: Screw-in RTD temperature probe with form B connection head

(1) Basic type

902020/10 Screw-in RTD temperature probes with extension tube and continuous thermowell



902020/11 Screw-in RTD temperature probes with extension tube and stepped thermowell



(2) Operating temperature in °C

x x 402 -50 to +400 °C (standard)
 x x 415 -50 to +600 °C

(3) Measuring insert

x x 1001 1× Pt100 in three-wire-circuit
 x x 1003 1× Pt100 in two-wire circuit
 x x 1011 1× Pt100 in four-wire circuit
 x x 2001 2× Pt100 in three-wire circuit
 x x 2003 2× Pt100 in two-wire circuit

(4) Tolerance class according to DIN EN 60751

x x 1 Class B (standard)
 x x 2 Class A

(5) Thermowell diameter D in mm

x 9 Ø 9 mm
 x 11 Ø 11 mm
 x 12 Ø 12 mm stepped down to Ø 9 mm

(6) Fitting length EL in mm (EL 100 to 1000 mm, EL ≤ 700 mm for basic type 902020/11)

x x 160 160 mm
 x 220 220 mm
 x x 250 250 mm
 x 280 280 mm
 x x 400 400 mm
 x x ... Specification in plain text (50 mm steps)

(7) Process connection

x x 104 Screw-connection G 1/2
 x x 105 Screw-connection G 3/4
 x x 106 Screw connection G 1

(8) Extra codes

x x 000 No extra code
 x x 058 SIL and PL compatible
 x x 306 Extension tube 70 mm
 x x 320 Terminal head form BUZ
 x x 321 Terminal head form BUZH
 x x 322 Connection head form BBK
 x x 330 1× transmitter (analog), 4 to 20 mA² output, data sheet 707030
 x x 331 1× transmitter (programmable), 4 to 20 mA / 20 to 4 mA³ output, data sheet 707010
 x x 333 1× transmitter (analog), 0 to 10V² output, data sheet 707030
 x x 334 2× transmitters (analog), 4 to 20 mA² output, data sheet 707030 (only with terminal head form BUZH)
 x x 335 2× transmitters (programmable), 4 to 20 mA / 20 to 4 mA³ output, data sheet 707010 (only with terminal head form BUZH)
 x x 337 2× transmitters (analog), 0 to 10 V² output, data sheet 707030 (only with terminal head form BUZH)
 x x 550 1× transmitter (programmable), 4 to 20 mA / 20 to 4 mA³ output and USB interface, data sheet 707050
 x x 551 2× transmitters (programmable), 4 to 20 mA / 20 to 4 mA³ output and USB interface, data sheet 707050 (only with terminal head form BUZH)
 x x 859 1× Wtrans B, programmable head transmitter with radio transmission, data sheet 707060

Order code (1) (2) (3) (4) (5) (6) (7) (8) ,...¹
Order example 902020/10 - 402 - 1001 - 1 - 11 - 250 - 106 / 000

¹ List extra codes in sequence, separated by commas.
² Specify measuring range in plain text.
³ Specify measuring range and output signal in plain text.

JUMO GmbH & Co. KG
 Delivery address: Mackenrodtstraße 14
 36039 Fulda, Germany
 Postal address: 36035 Fulda, Germany
 Phone: +49 661 6003-0
 Fax: +49 661 6003-607
 Email: mail@jumo.net
 Internet: www.jumo.net

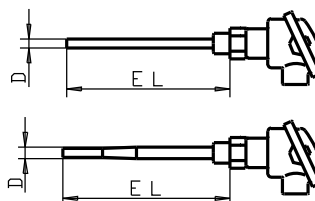
JUMO Instrument Co. Ltd.
 JUMO House
 Temple Bank, Riverway
 Harlow, Essex CM 20 2DY, UK
 Phone: +44 1279 63 55 33
 Fax: +44 1279 62 50 29
 Email: sales@jumo.co.uk
 Internet: www.jumo.co.uk

JUMO Process Control, Inc.
 6733 Myers Road
 East Syracuse, NY 13057, USA
 Phone: +1 315 437 5866
 Fax: +1 315 437 5860
 Email: info.us@jumo.net
 Internet: www.jumousa.com



Order specifications: Screw-in RTD temperature probe with connection head form B

(1) Basic type	
902020/20	Screw-in RTD temperature probes without extension tube and continuous thermowell
902020/21	Screw-in RTD temperature probes without extension tube and stepped thermowell
(2) Operating temperature in °C	
x x	402 -50 to +400 °C (standard)
x x	415 -50 to +600 °C
(3) Measuring insert	
x x	1001 1× Pt100 in three-wire-circuit
x x	1003 1× Pt100 in two-wire circuit
x x	1011 1× Pt100 in four-wire circuit
x x	2001 2× Pt100 in three-wire circuit
x x	2003 2× Pt100 in two-wire circuit
(4) Tolerance class according to DIN EN 60751	
x x	1 Class B (standard)
x x	2 Class A
(5) Thermowell diameter D in mm	
x	9 Ø 9 mm
x	11 Ø 11 mm
x	12 Ø 12 mm stepped down to Ø 9 mm
(6) Fitting length EL in mm (EL 100 to 1000 mm, EL ≤ 700 mm for basic type 902020/21)	
x x	100 100 mm
x x	160 160 mm
x x	250 250 mm
x x	400 400 mm
x x	... Specification in plain text (50 mm steps)
(7) Process connection	
x x	104 Screw-connection G 1/2
x x	105 Screw-connection G 3/4
x x	106 Screw connection G 1
(8) Extra codes	
x x	000 No extra code
x x	058 SIL and PL compatible
x x	320 Terminal head form BUZ
x x	321 Terminal head form BUZH
x x	322 Connection head form BBK
x x	330 1× transmitter (analog), 4 to 20 mA ² output, data sheet 707030
x x	331 1× transmitter (programmable), 4 to 20 mA / 20 to 4 mA ³ output, data sheet 707010
x x	333 1× transmitter (analog), 0 to 10 V ² output, data sheet 707030
x x	334 2× transmitters (analog), 4 to 20 mA ² output, data sheet 707030 (only with terminal head form BUZH)
x x	335 2× transmitters (programmable), 4 to 20 mA / 20 to 4 mA ³ output, data sheet 707010 (only with terminal head form BUZH)
x x	337 2× transmitters (analog), 0 to 10 V ² output, data sheet 707030 (only with terminal head form BUZH)
x x	550 1× transmitter (programmable), 4 to 20 mA / 20 to 4 mA ³ output and USB interface, data sheet 707050
x x	551 2× transmitters (programmable), 4 to 20 mA / 20 to 4 mA ³ output and USB interface, data sheet 707050 (only with terminal head form BUZH)
x x	859 1× Wtrans B, programmable head transmitter with radio transmission, data sheet 707060



Order code	(1)	(2)	(3)	(4)	(5)	(6)	(7)	(8)	...							
Order example	902020/20	-	402	-	1001	-	1	-	9	-	160	-	104	/	000	¹

¹ List extra codes in sequence, separated by commas.
² Specify measuring range in plain text.
³ Specify measuring range and output signal in plain text.

JUMO GmbH & Co. KG

Delivery address: Mackenrodtstraße 14
36039 Fulda, Germany
Postal address: 36035 Fulda, Germany
Phone: +49 661 6003-0
Fax: +49 661 6003-607
Email: mail@jumo.net
Internet: www.jumo.net

JUMO Instrument Co. Ltd.

JUMO House
Temple Bank, Riverway
Harlow, Essex CM 20 2DY, UK
Phone: +44 1279 63 55 33
Fax: +44 1279 62 50 29
Email: sales@jumo.co.uk
Internet: www.jumo.co.uk

JUMO Process Control, Inc.

6733 Myers Road
East Syracuse, NY 13057, USA
Phone: +1 315 437 5866
Fax: +1 315 437 5860
Email: info.us@jumo.net
Internet: www.jumousa.com

**Stock versions**

Order code	Part no.
902020/10-402-1003-1-9-160-104/000	00055562
902020/10-402-1003-1-9-250-104/000	00055563
902020/10-402-1003-1-9-400-104/000	00055564
902020/10-402-2003-1-9-160-104/000	00055565
902020/10-402-2003-1-9-250-104/000	00055566
902020/10-402-2003-1-9-400-104/000	00055567
902020/10-402-1001-1-9-160-104/330 (0 to 100 °C)	00054616
902020/10-402-1001-1-9-160-104/330 (0 to 200 °C)	00087522
902020/10-402-1001-1-9-250-104/330 (0 to 200 °C)	00087527
902020/10-402-1001-1-9-400-104/331 (0 to 100 °C)	00335111

Accessories for programmable two-wire transmitter type 707010

Description	Part no.
PC interface with TTL/RS232 converter and adapter (socket connector)	00350260
PC interface with USB/TTL converter, adapter (socket connector) and adapter (pins)	00456352
Special programming (standard measuring range 0 to 100 °C)	-
Setup program on CD-ROM, multilingual	00378733

Accessories for programmable two-wire transmitter type 707050

Description	Part no.
Setup program on CD-ROM, multilingual	00574959
USB cable, A connector on Mini-B connector, length 3 m	00506252

Accessories for Wtrans B, programmable head transmitter with radio transmission Type 707060

Description	Part no.
Lithium battery 3.6 V, 2.2 Ah (size AA)	00547559
PC interface with USB/TTL converter, adapter (socket) and adapter (pins)	00456352
PC interface with TTL/RS232 converter and adapter (socket connector)	00350260
Setup program on CD-ROM, multilingual	00488887
Setup program including OnlineChart on CD-ROM, multilingual	00549067
OnlineChart activation	00549188