



PHARMACEUTICALS



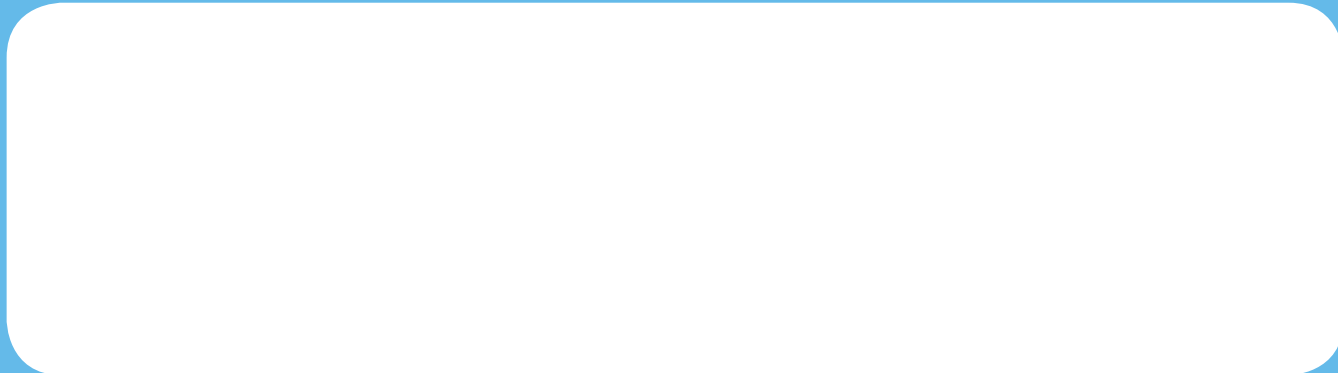
COSMETICS+TOILETRIES



MEDICAL+OPHTHALMIC



NUTRACEUTICALS

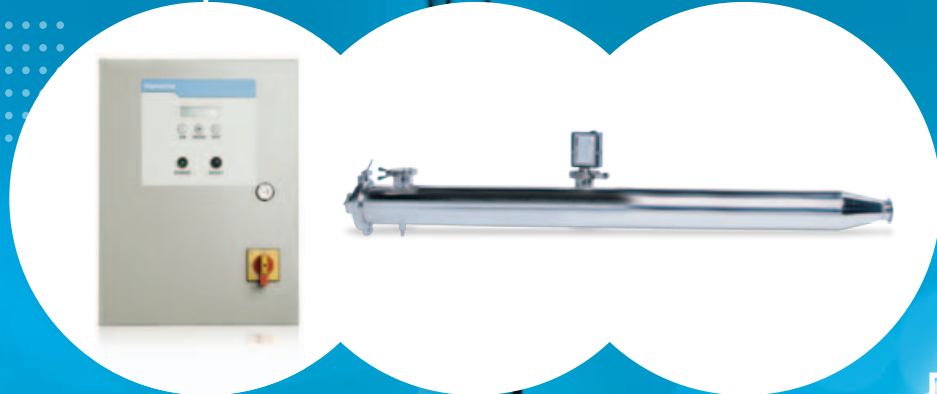


✉	t: +44 (0) 1753 515 300 f: +44 (0) 1753 515301 e: sales@hanovia.com		
	Hanovia Ltd, 780 Buckingham Avenue, Slough, Berkshire, SL1 4LA United Kingdom		
🌐	Visit our website for further information at www.hanovia.com	Follow us on	 



PharmaLine DL

Disinfection for process water loops



Technical Specification

UV Chamber	
Material:	StSt 316L / 1.4404
Internal finish:	<0.38µm Ra max welds left as laid electropolished and passivated
External finish:	Sateen polish (120 grit) electropolished and passivated
Process (mating) connections:	Tri-clamp to BS 4825
Drain connection:	Tri-clamp to BS 4825
End plate:	Removable Tri-clamp
Degree of protection:	IP65 equivalent to NEMA 4 but not suitable for outside use
Arc tube (lamp):	Low pressure amalgam / high purity quartz
Arc tube enclosure:	High purity quartz
Number of arc tubes (lamps):	1
Expected lamp life:	12000-16000 hours
Temperature sensor:	No
UV monitor:	Wet UV monitor
Working fluid temperature:	+5°C to +40°C
Maximum CIP temperature:	95°C with lamp off
Hydrostatically pressure tested:	Yes to PED requirements EN13445
Operating / Design pressure:	6 bar / 7 bar
Pressure Loss:	Typically < 40 mbar
Seals:	EPDM FDA approved

Cabinet	
Material:	Polyester coated carbon steel
Degree of protection:	IP65 / NEMA 4
Supply voltages:	230V (207V to 253V) or 115V (104V to 126V) 50/60Hz
Operating temperature range:	+5°C to +40°C
Relative humidity:	<90%
Cooling fans:	No
Interconnecting cable lengths:	5m
External interface:	4-20mA signal for UV intensity %, Volt Free Contacts for Lamp ON, Low UV warning,

PharmaLine DL

Disinfection for process water loops

Product Specific Data

Features

Operational Features:

- Lamp on/off
- Remote start / stop
- Alarm reset button
- Low UV warning
- Horizontal or vertical mounting

Screen Display Features:

- 2 line x 16 character backlit LCD with indication of System Status
- Remote mode
- UV intensity %
- Warning and trip messages
- Total hours run
- English language

Alarm Message Features:

- Lamp fail
- Low UV % intensity
- Unit tripped

Safety Features:

- Door interlocked cabinet isolator
- Separate door lock
- Resettable circuit breaker
- Power on LED

Options

- Validation Support Pack
- Stainless Steel cabinet (304)
- Printed operating, menu and safety guides available in Chinese, French and German
- Uvtronic control 230V (207 to 263V) CE and UL approved with pre calibrated DVGW compliant dry UV monitor
- CIP maximum 130°C with lamp off

Approvals

- CE following the low voltage and EMC directives conforming to EN61000-3-2, 3-3, 6-2 and 6-4 230V version only

Additional Information

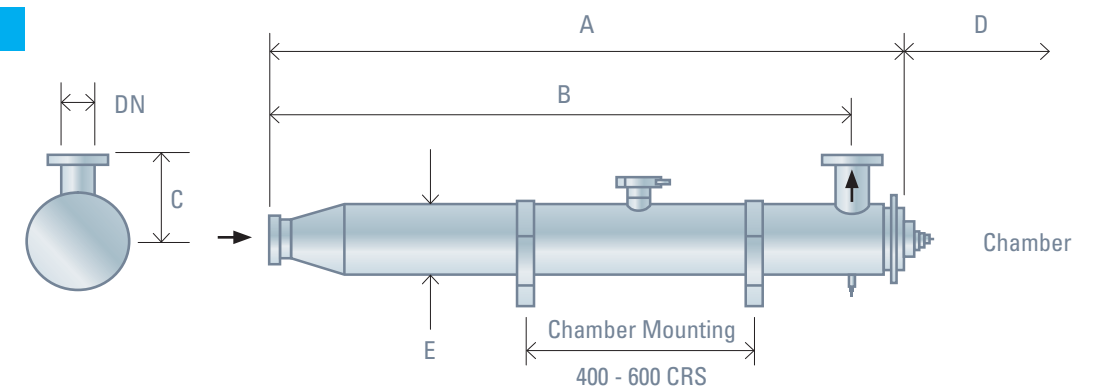
All dimensions are approximate for clearance purposes only. Hanovia has a policy of continuous product development, exact drawings are available on request. All specifications are subject to change without notification. Your Distributor or Hanovia Account Manager can advise on correct dosage and specific requirements.

A HALMA COMPANY

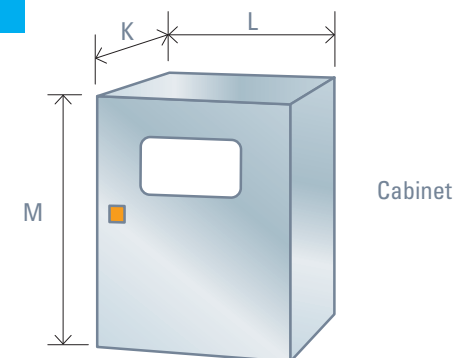


Dimensions (mm)

Chamber:



Cabinet:



Model	Maximum Disinfection Capacity * (m ³ /hr)	Min. T ₁₀ (%)	Dimensions (mm)					DN	230V			110V			Approx Weight (Kg)		
			A	B	C	D	E		K**	L**	M**	K**	L**	M**	Chamber (Empty)	Power Supply	Power (W)
PharmaLine DL 0003	3.6	70	920	840	75	800	63	1"	225	300	550	275	400	750	5	18	80
PharmaLine DL 0008	8.1	70	1385	1273	82	1300	102	1.5"	225	300	550	275	400	750	9	18	80
PharmaLine DL 0014	14.1	70	1385	1273	82	1300	102	2"	225	300	550	275	400	750	9	18	140
PharmaLine DL 0023	23	70	1385	1273	82	1300	102	2"	225	300	550	275	400	750	9	18	270
PharmaLine DL 0056	56	70	1437	1300	150	1300	168	3"	225	300	550	275	400	750	20	18	270

* The maximum disinfection capacity is based on a dose of 26mJ/cm² RED MS2 phage T₁₀ 98%

**Cabinet dimensions allow for door isolator, bottom cable entry and bracket space